

EXIDOR

# 400 SERIES

EMERGENCY EXIT HARDWARE  
TOUCH BAR RANGE



# What's inside

04	Electronic latch retraction	18	Keep options
05	Choose your finish	19	Accessories & technical data
06	Product selector	20	Touch bar sizing
09	Electronic latch retraction range	21	Parts list
12	Single door range	22	Regulations
16	Outside access devices	23	Product features

## Guarantee

To support the high quality and first class engineering that has gone into the Exidor 400 Series range, the manufacturer gives a ten year guarantee for mechanical components and a one year guarantee for electrical components (subject to conditions) against defects due to faulty manufacturing, workmanship or defective materials. The manufacturer agrees to replace any defective Exidor product free of charge provided the product has been fitted in accordance with the fitting instructions and maintained correctly.

## Technical Support

Comprehensive information and technical support services are available by contacting:

Tel: +44 (0)1543 460040 Fax: +44 (0)1543 570050  
email: [technical@exidor.co.uk](mailto:technical@exidor.co.uk)

Or visit our website:

# [exidor.co.uk](http://exidor.co.uk)

There are a number of enhancements we've made to the Exidor website. You'll also find new company info, technical data, and downloadable pdfs of the latest product literature – all presented in a clear and contemporary style that we hope you'll enjoy.

We're aiming to keep on improving the website, with more new specifiers on the way, and additions to our gallery of products and projects. If you have comments and ideas on ways we can make it even better and more useful, just let us know.





## Introducing the 400 Series Touch Bar

Exidor Ltd is a UK based engineering company manufacturing a comprehensive, high specification range of innovative panic and emergency exit hardware.

We've been meeting the needs of architects, specifiers, project managers, OEM's and building managers for more than 60 years. In that time we've built an unrivalled record of developing and continually enhancing a product range that's known all over the world.

**The Exidor 400 series touch bar – certified to the European Standard BS EN1125:2008, carrying the Certifire quality mark, fire rated and CE marked for safety and peace of mind.**

Combining smooth stylish lines with quality British engineering, the Exidor touch bar provides the best solution for panic and emergency exits, and is even stylish enough for the most integrated of interiors.

Certified to 200,000 uses, the Exidor 400 series is suitable for use in public buildings such as hotels, schools, hospitals, airports and prestige office developments where the door mass does not exceed 200kg.

The range is available in single, two and three point locking systems using vertical or horizontal Pullman latches. Accessories include alarm and microswitch units, outside access devices for entry from the external side, as well as an electronic latch retraction option which, when integrated with the buildings access control system, gives security and ease of entry as well as emergency egress at all times.

### **What does British manufacturing mean to us?**

Understanding what our customers need. Providing local and reliable service. Having a wide range of standard units available from stock for next day delivery. Being able to provide non-standard products. Reacting quickly when it matters. Working to International quality and manufacturing standards and certified to ISO 9001. And caring – professionally – about quality.

# Allowing your access control system to integrate with the Exidor 400 series...

## Electronic latch retraction

With the ever increasing need for improved security, the Exidor 400 series can now be fully integrated with any access control system whilst still allowing safe and quick emergency exit from inside the building.

The electronic latch retraction range can be used with most access control systems, from a simple card swipe through to biometric systems such as fingerprint/hand and iris recognition.

From the inside of the door the bar operates mechanically and independently from the access control system. This ensures that even in the event of power failure, speedy and safe egress can be achieved.

However, from the outside of the door the Exidor 400 series electronic latch retraction unit is wired into the buildings access control system which means that when an authorised person approaches the door, a motor concealed within the touch bar assembly provides immediate retraction of the bolts and therefore access into the building.

After a predetermined period of time the bolts re-engage ensuring that the security of the building is maintained.

The unit operates from a standard 24V DC 1 amp power supply (not provided) and the use of a motor, rather than a solenoid, ensures that power is only required when the bar is in the open position, giving lower power usage and a longer life.

All bars include as standard electronic dogging (hold back) and optional extras include an exit alarm, which will sound when the touch bar is operated, and internally fitted microswitches, allowing the status of the bar to be monitored. Both these options are factory fitted and must be specified when ordering the bars.

The Exidor 400 series with electronic latch retraction is available as a deadlocking single point latch, as well as in two or three point locking versions with either vertical or horizontal Pullman latches.

All versions are certified to the European standard BS EN1125:2008 for panic hardware, and are available in the same range of finishes as the standard bars ensuring complete integration within a building.



# Choose Your Finish

Exidor Ltd use epoxy powder coating for all painted surfaces to give a quality finish to our products, and offer silver, white with green touch bar and black with green touch bar as standard colours for the Exidor 400 series.

Brass and stainless steel plated finishes are also available but are not recommended for external use or outside access devices.

Exidor Ltd also offer a range of popular Hewi & RAL colours to match other ironmongery products that may be fitted. When ordering please suffix the product code with the Hewi or RAL number.

## A choice of finishes

All exit devices and outside access devices are available in a wide range of finishes:

### Standard finishes:



Silver  
(RAL 9022)



White/Green



Black/Green

### Plated finishes available:

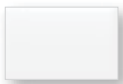


Stainless  
steel effect



Brass effect

### Popular RAL colours available:



Pure white  
9010



Ultra marine  
blue  
5002



Ruby red  
3003



Traffic yellow  
1023



Fir green  
6009



Agate grey  
7038



Mint green  
6029



Ivory  
1014



Jet black  
9005



Anthracite  
grey  
7016



Olive  
brown  
8008



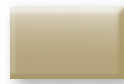
Black green  
6012



Wine red  
3007



Steel blue  
5011



Gold



# Product Selector

## Single doors

EN 1125

### Pullman Latches

Single Point Locking		Two Point Locking		Three Point Locking	
Door Width (Min - Max) 692mm - 900mm	400 Touch Bar Panic Latch	Door Width (Min - Max) 692mm - 900mm	416 Touch Bar Panic Bolt with Horizontal Pullman Latches	Door Width (Min - Max) 692mm - 900mm	418 Touch Bar 3 Point Panic Bolt with Horizontal Pullman Latches
Door Width (Min - Max) 872mm - 1200mm	401 Touch Bar Panic Latch	Door Width (Min - Max) 872mm - 1200mm	417 Touch Bar Panic Bolt with Horizontal Pullman Latches	Door Width (Min - Max) 872mm - 1200mm	419 Touch Bar 3 Point Panic Bolt with Horizontal Pullman Latches
Door Width (Min - Max) 692mm - 900mm	402 Touch Bar Panic Bolt with Vertical Pullman Latches	Door Width (Min - Max) 872mm - 1200mm	403 Touch Bar Panic Bolt with Vertical Pullman Latches	Door Width (Min - Max) 872mm - 1200mm	405 Touch Bar 3 Point Panic Bolt with Vertical Pullman Latches

## Electronic Latch Retraction

EN 1125

### Pullman Latches

Single Point Locking		Two Point Locking		Three Point Locking	
Door Width (Min - Max) 692mm - 900mm	TB450 ELR Touch Bar Panic Latch	Door Width (Min - Max) 692mm - 900mm	TB466 ELR Touch Bar Panic Bolt with Horizontal Pullman Latches	Door Width (Min - Max) 692mm - 900mm	TB455 ELR Touch Bar 3 Point Panic Bolt with Vertical Pullman Latches
Door Width (Min - Max) 872mm - 1200mm	TB451 ELR Touch Bar Panic Latch	Door Width (Min - Max) 872mm - 1200mm	TB467 ELR Touch Bar Panic Bolt with Horizontal Pullman Latches	Door Width (Min - Max) 872mm - 1200mm	TB469 ELR Touch Bar 3 Point Panic Bolt with Horizontal Pullman Latches
Door Width (Min - Max) 692mm - 900mm	TB452 ELR Touch Bar Panic Bolt with Vertical Pullman Latches	Door Width (Min - Max) 872mm - 1200mm	TB453 ELR Touch Bar Panic Bolt with Vertical Pullman Latches	Door Width (Min - Max) 872mm - 1200mm	TB468 ELR Touch Bar 3 Point Panic Bolt with Horizontal Pullman Latches

# Product Selector

## Rebated double doors

EN 1125

### Pullman Latches

Three Point Locking		Four Point Locking		Five Point Locking	
Door Width (Min - Max) 692mm - 900mm	400 + 402 + 406B Touch Bar Panic Latch and Touch Bar Panic Bolt with Vertical Pullman Latches	Door Width (Min - Max) 692mm - 900mm	402 + 416 + 2No 406A Touch Bar Panic Bolt with Vertical Pullman Latches and Touch Bar Panic Bolt with Horizontal Pullman Latches	Door Width (Min - Max) 692mm - 900mm	402 + 418 + 406B + 2No 406A Touch Bar Panic Bolt with Vertical Pullman Latches and Touch Bar 3 Point Panic Bolt with Horizontal Pullman Latches
Door Width (Min - Max) 872mm - 1200mm	401 + 403 + 406B Touch Bar Panic Latch and Touch Bar Panic Bolt with Vertical Pullman Latches	Door Width (Min - Max) 872mm - 1200mm	403 + 417 + 2No 406A Touch Bar Panic Bolt with Vertical Pullman Latches and Touch Bar Panic Bolt with Horizontal Pullman Latches	Door Width (Min - Max) 872mm - 1200mm	403 + 419 + 406B + 2No 406A Touch Bar Panic Bolt with Vertical Pullman Latches and Touch Bar 3 Point Panic Bolt with Horizontal Pullman Latches

www.housegoblin.co.uk

## Electronic Latch Retraction

EN 1125

### Pullman Latches

Three Point Locking		Four Point Locking		Five Point Locking	
Door Width (Min - Max) 692mm - 900mm	TB450 + 402 + 406B ELR Touch Bar Panic Latch and Touch Bar Panic Bolt with Vertical Pullman Latches	Door Width (Min - Max) 692mm - 900mm	TB466 + 402 + 2No 406A ELR Touch Bar Panic Bolt with Horizontal Pullman Latches and Touch Bar Panic Bolt with Vertical Pullman Latches	Door Width (Min - Max) 692mm - 900mm	TB468 + 402 + 406B + 2No 406A ELR Touch Bar Three Point Panic Bolt with Horizontal Pullman Latches and Touch Bar Panic Bolt with Vertical Pullman Latches
Door Width (Min - Max) 872mm - 1200mm	TB451 + 403 + 406B ELR Touch Bar Panic Latch and Touch Bar Panic Bolt with Vertical Pullman Latches	Door Width (Min - Max) 872mm - 1200mm	TB467 + 403 + 2No 406A ELR Touch Bar Panic Bolt with Horizontal Pullman Latches and Touch Bar Panic Bolt with Vertical Pullman Latches	Door Width (Min - Max) 872mm - 1200mm	TB469 + 403 + 406B + 2No 406A ELR Touch Bar Three Point Panic Bolt with Horizontal Pullman Latches and Touch Bar Panic Bolt with Vertical Pullman Latches

www.housegoblin.co.uk

# Product Selector

Non-rebated double doors

EN 1125

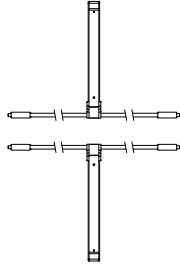
Pullman Latches

Four Point Locking

Door Width (Min - Max)  
692mm - 900mm

402 + 402

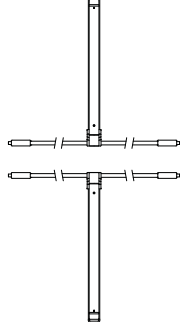
Touch Bar Panic Bolt with Vertical Pullman Latches and  
Touch Bar Panic Bolt with Vertical Pullman Latches



Door Width (Min - Max)  
872mm - 1200mm

403 + 403

Touch Bar Panic Bolt with Vertical Pullman Latches and  
Touch Bar Panic Bolt with Vertical Pullman Latches



EN 1125

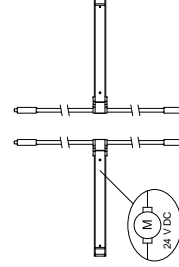
Pullman Latches

Four Point Locking

Door Width (Min - Max)  
692mm - 900mm

TB452 + 402

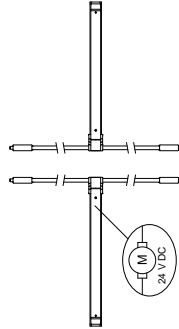
ELR Touch Bar Panic Bolt with Vertical Pullman Latches  
and Touch Bar Panic Bolt with Vertical Pullman Latches



Door Width (Min - Max)  
872mm - 1200mm

TB453 + 403

ELR Touch Bar Panic Bolt with Vertical Pullman Latches  
and Touch Bar Panic Bolt with Vertical Pullman Latches



Electronic Latch Retraction



# Electronic Latch Retraction



SINGLE POINT LOCKING

**TB450 ELR Touch Bar Panic Latch for Doors Up To 900mm Wide**

**TB451 ELR Touch Bar Panic Latch for Doors Up To 1200mm Wide**

Classification No.	3	7	6	0	1	3	2	2	B	A
EN 1125 : 2008										

The Exidor TB450 and TB451 with electronic latch retraction are surface mounted touch bar panic latches for wooden or steel, single and double door applications. The TB450 is suitable for doors up to 900mm wide and the TB451 for doors up to 1200mm wide. Integration with the buildings access control system ensures that security and access restrictions are maintained. Simply pushing the touch bar always provides safe and speedy exit in panic situations, whilst the patented lip prevents accidental jamming of the touch bar. Combining smooth stylish lines with the excellence of British engineering ensures they're elegant enough for use in the most prestigious buildings with integrated interiors.

- Non-handed
- CE marked for safety
- Surface mounted
- Suitable for use with access control systems
- Low power usage
- Operates from a 24V DC 1A power supply (not provided)
- Built in electronic dogging
- Standard colours: silver, white with green touch bar and black with green touch bar
- Plated finishes and most RAL colours available

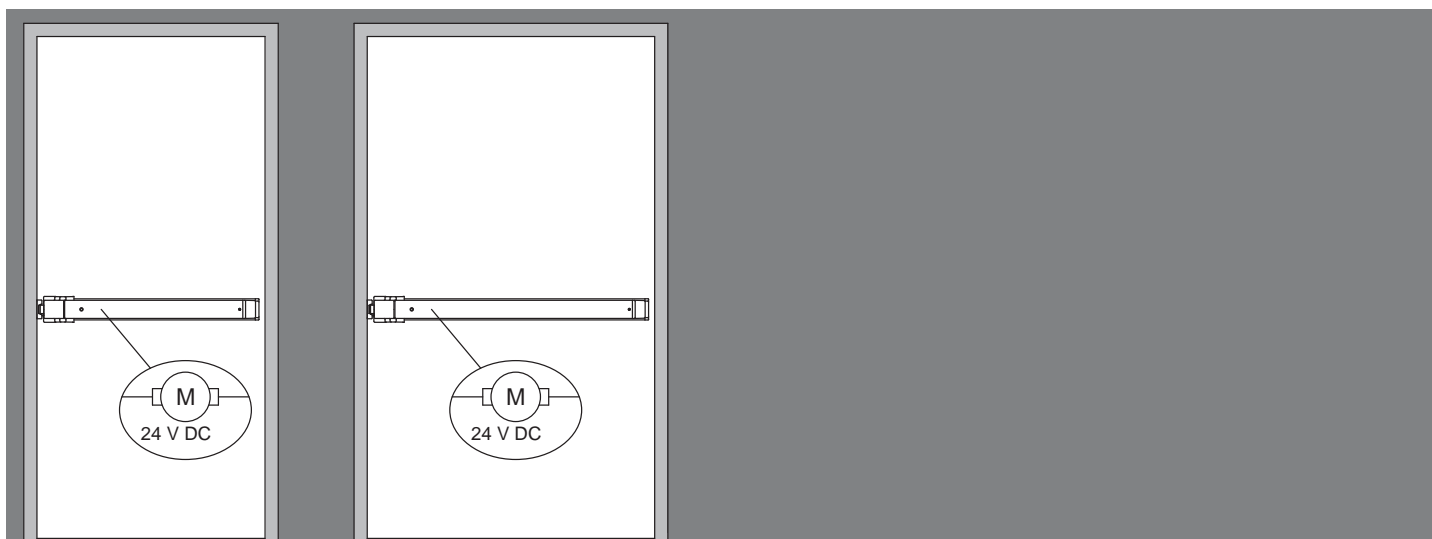


**Standard Sizes**

TB450 can be used for doors up to 900mm wide and the TB451 for doors up to 1200mm wide. Touch bars for the following size doors are also available:- 483mm, 566mm, 650mm, 733mm & 816mm. Other sizes are available to order. Please contact the sales office for more details.

**Additional options**

- The Exidor ELR touch bar panic latches can be supplied with:
- Microswitch (suffix MS after the product code)
  - Alarm (suffix AL after the product code)



TB450

TB451

# Electronic Latch Retraction



TWO POINT LOCKING

**TB452** ELR Touch Bar Panic Bolt With Vertical Latches for Doors Up To 900mm Wide

**TB453** ELR Touch Bar Panic Bolt With Vertical Latches for Doors Up To 1200mm Wide

Classification No.	3	7	6	0	1	3	2	2	B	A
EN 1125 : 2008										

The Exidor TB452 and TB453 with electronic latch retraction are surface mounted touch bar panic bolts for wooden or steel, single and double door applications. The TB452 is suitable for doors up to 900mm wide and the TB453 for doors up to 1200mm wide. Integration with the buildings access control system ensures that security and access restrictions are maintained. The vertical Pullman latches offer increased security, whilst the patented lip prevents accidental jamming of the touch bar. Combining smooth stylish lines with the excellence of British engineering ensures they're elegant enough for use in the most prestigious buildings with integrated interiors.

**TB466** ELR Touch Bar Panic Bolt With Horizontal Latches for Doors Up To 900mm Wide

**TB467** ELR Touch Bar Panic Bolt With Horizontal Latches for Doors Up To 1200mm Wide

Classification No.	3	7	6	0	1	3	2	2	B	A
EN 1125 : 2008										

The Exidor TB466 and TB467 with electronic latch retraction offer all the elegance and functions of the Exidor touch bar panic bolts but using horizontal Pullman latches.

- Non-handed
- CE marked for safety
- Surface mounted
- Suitable for use with access control systems
- Low power usage
- Operates from a 24V DC 1A power supply (not provided)
- Built in electronic dogging
- Standard colours: silver, white with green touch bar and black with green touch bar
- Plated finishes and most RAL colours available

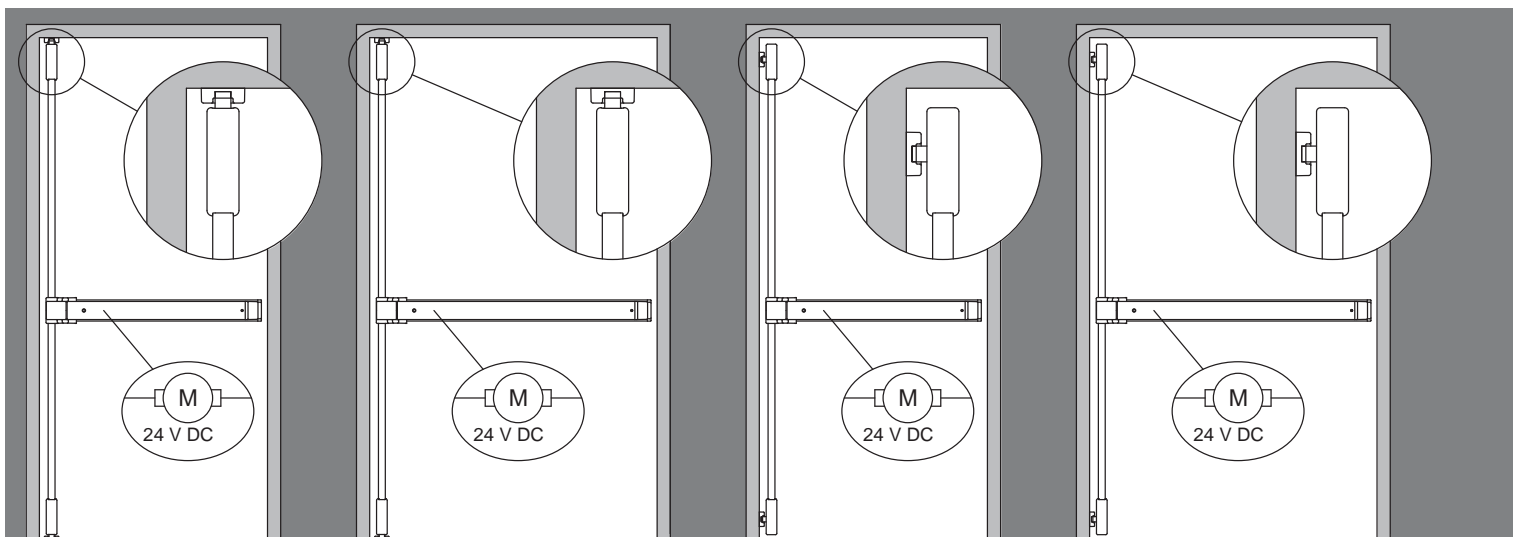


**Standard Sizes**

TB452 & TB466 can be used for doors up to 900mm wide and the TB453 & TB467 for doors up to 1200mm wide. Touch bars for the following size doors are also available:- 483mm, 566mm, 650mm, 733mm & 816mm. Other sizes are available to order. Please contact the sales office for more details. All Exidor ELR touch bar panic bolts are suitable for doors up to 2440mm high. Special sizes are available on request

**Additional options**

- The Exidor ELR touch bar panic bolts can be supplied with:
- Microswitch (suffix MS after the product code)
  - Alarm (suffix AL after the product code)



TB452

TB453

TB466

TB467

# Electronic Latch Retraction



## THREE POINT LOCKING

**TB454** ELR Touch Bar Three Point Panic Bolt With Vertical Latches for Doors Up To 900mm Wide

**TB455** ELR Touch Bar Three Point Panic Bolt With Vertical Latches for Doors Up To 1200mm Wide

Classification No.	3	7	6	0	1	3	2	2	B	A
EN 1125 : 2008										

The Exidor TB454 and TB455 with electronic latch retraction are surface mounted three point touch bar panic bolts for wooden or steel, single and double door applications. The TB454 is suitable for doors up to 900mm wide and the TB455 for doors up to 1200mm wide. Integration with the buildings access control system ensures that security and access restrictions are maintained. The three point locking offers increased security, whilst the patented lip prevents accidental jamming of the touch bar. Combining smooth stylish lines with the excellence of British engineering ensures they're elegant enough for use in the most prestigious buildings with integrated interiors.

**TB468** ELR Touch Bar Three Point Panic Bolt With Horizontal Latches for Doors Up To 900mm Wide

**TB469** ELR Touch Bar Three Point Panic Bolt With Horizontal Latches for Doors Up To 1200mm Wide

Classification No.	3	7	6	0	1	3	2	2	B	A
EN 1125 : 2008										

The Exidor TB468 and TB469 with electronic latch retraction offer all the elegance and functions of the Exidor touch bar three point panic bolts but using horizontal Pullman latches

- Non-handed
- CE marked for safety
- Surface mounted
- Suitable for use with access control systems
- Low power usage
- Operates from a 24V DC 1A power supply (not provided)
- Built in electronic dogging
- Standard colours: silver, white with green touch bar and black with green touch bar
- Plated finishes and most RAL colours available



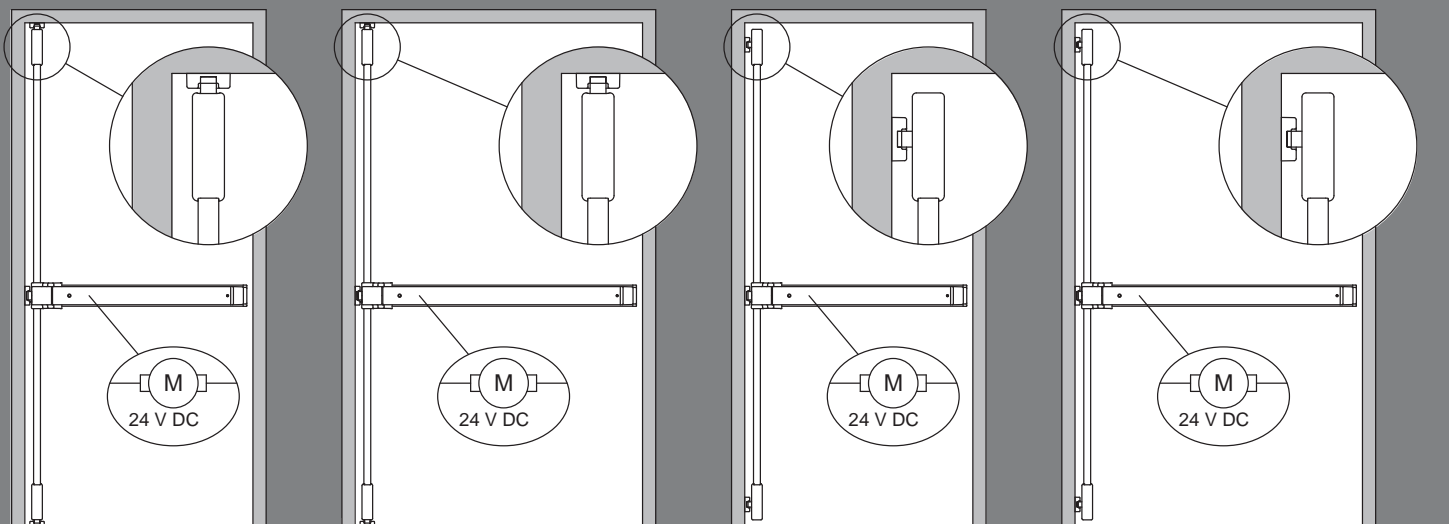
### Standard Sizes

TB454 & TB468 can be used for doors up to 900mm wide and the TB455 & TB469 for doors up to 1200mm wide. Touch bars for the following size doors are also available:- 483mm, 566mm, 650mm, 733mm & 816mm. Other sizes are available to order. Please contact the sales office for more details. All Exidor ELR touch bar three point panic bolts are suitable for doors up to 2440mm high. Special sizes are available on request

### Additional options

The Exidor ELR touch bar three point panic bolts can be supplied with:

- Microswitch (suffix MS after the product code)
- Alarm (suffix AL after the product code)



TB454

TB455

TB468

TB469



- 400 Touch Bar Panic Latch for Doors Up To 900mm Wide**
- 401 Touch Bar Panic Latch for Doors Up To 1200mm Wide**

Classification No.	3	7	6	B	1	3	2	2	B	A
EN 1125 : 2008										

The Exidor 400 and 401 are surface mounted touch bar panic latches for wooden or steel, single and double door applications, including fire doors. The 400 is suitable for doors up to 900mm wide and the 401 for doors up to 1200mm wide. Simply pushing the touch bar provides safe and speedy exit in panic situations, whilst the patented lip prevents accidental jamming. Combining smooth stylish lines with the excellence of British engineering ensures they're elegant enough for use in the most prestigious buildings with integrated interiors.

- Non-handed
- CE marked for safety
- Suitable for fire doors
- Surface mounted
- Two standard sizes - other sizes available on request
- Deadlocking latch bolt
- Standard colours: silver, white with green touch bar and black with green touch bar
- Plated finishes and most RAL colours available



**Standard Sizes**

The 400 can be used for doors up to 900mm wide and the 401 for doors up to 1200mm wide. Touch bars for the following size doors are also available:- 483mm, 566mm, 650mm, 733mm & 816mm. Other sizes are available to order. Please contact the sales office for more details.

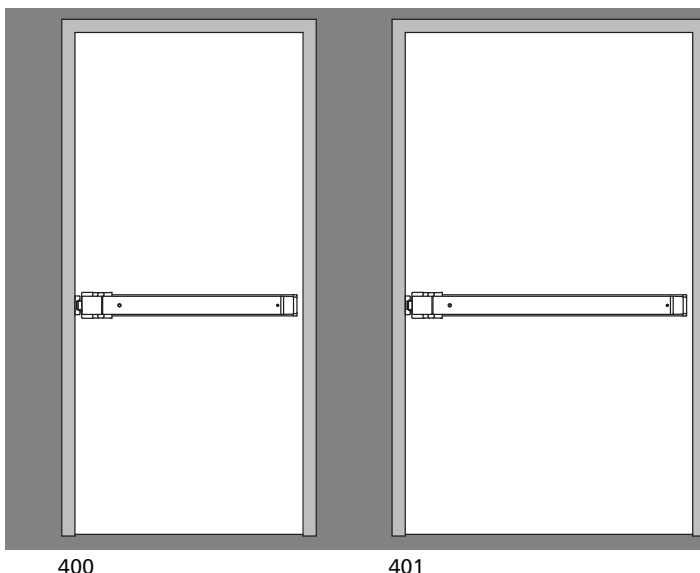
**Additional options**

The Exidor touch bar panic latches can be supplied with:

- Microswitch (suffix MS after the product code)
- Alarm (suffix AL after the product code)
- Dogging (suffix WD after the product code). Please note that WD products are not fire rated

**Optional accessories for the 400 & 401 touch bar panic latches**

- 409 Outside access device – knob operated
- 410EC Outside access device with Euro cylinder – lever operated
- 410EA Outside access device with Euro aperture – lever operated
- 410OC Outside access device with oval cylinder – lever operated
- 410OA Outside access device with oval aperture – lever operated
- 411EC Outside access device with Euro cylinder – knob operated
- 411EA Outside access device with Euro aperture – knob operated
- 411OC Outside access device with oval cylinder – knob operated
- 411OA Outside access device with oval aperture – knob operated
- CL1 Mechanical push button outside access device
- CL2 Mechanical push button outside access device with passage facility
- CL3 Quick code mechanical push button outside access device
- CL4 Quick code mechanical push button outside access device with passage facility



400

401

# Single Doors

TWO POINT LOCKING



**402 Touch Bar Panic Bolt With Vertical Latches for Doors Up To 900mm Wide**

**403 Touch Bar Panic Bolt With Vertical Latches for Doors Up To 1200mm Wide**

Classification No.	3	7	6	B	1	3	2	2	B	A
EN 1125 : 2008										

The Exidor 402 and 403 are surface mounted touch bar panic bolts for wooden or steel, single and double door applications, including fire doors. The 402 is suitable for doors up to 900mm wide and the 403 for doors up to 1200mm wide. The vertical Pullman latches offer increased security, whilst the patented lip prevents accidental jamming of the touch bar. Combining smooth stylish lines with the excellence of British engineering ensures they're elegant enough for use in the most prestigious buildings with integrated interiors.

**416 Touch Bar Panic Bolt With Horizontal Latches for Doors Up To 900mm Wide**

**417 Touch Bar Panic Bolt With Horizontal Latches for Doors Up To 1200mm Wide**

Classification No.	3	7	6	B	1	3	2	2	B	A
EN 1125 : 2008										

The Exidor 416 and 417 offer all the elegance and functions of the Exidor touch bar panic bolts but using horizontal Pullman latches.

- Non-handed
- CE marked for safety
- Surface mounted
- Suitable for fire doors
- Two point locking for additional security
- Two standard sizes – other sizes available on request
- Pullman latches giving a smoother latching action
- Standard colours: silver, white with green touch bar and black with green touch bar.
- Plated finishes and most RAL colours available



#### Standard Sizes

The 402 & 416 can be used for doors up to 900mm wide and the 403 & 417 for doors up to 1200mm wide. Touch bars for the following size doors are also available:- 483mm, 566mm, 650mm, 733mm & 816mm. Other sizes are available to order. Please contact the sales office for more details. All Exidor touch bar panic bolts are suitable for doors up to 2440mm high. Special sizes available on request.

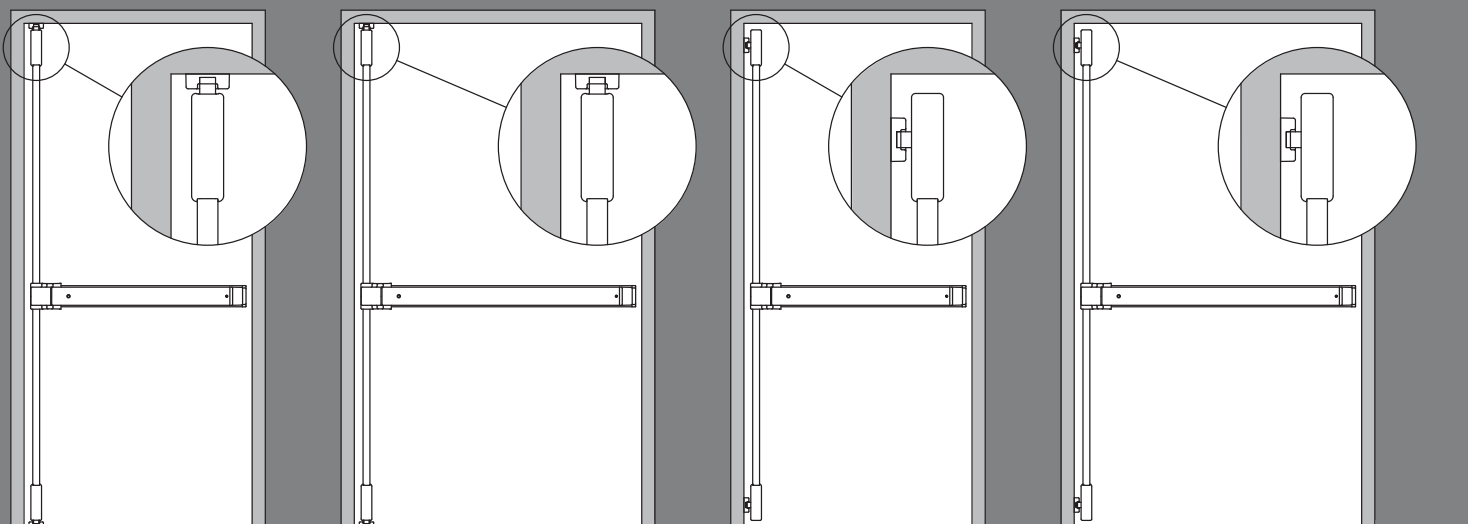
#### Additional options

The Exidor touch bar panic bolts can be supplied with:

- Microswitch (suffix MS after the product code)
- Alarm (suffix AL after the product code)
- Dogging (suffix WD after the product code). Please note that WD products are not fire rated

#### Optional accessories for the 402, 403, 416 & 417 touch bar panic bolts

- 409 Outside access device – knob operated
- 410EC Outside access device with Euro cylinder – lever operated
- 410EA Outside access device with Euro aperture – lever operated
- 410OC Outside access device with oval cylinder – lever operated
- 410OA Outside access device with oval aperture – lever operated
- 411EC Outside access device with Euro cylinder – knob operated
- 411EA Outside access device with Euro aperture – knob operated
- 411OC Outside access device with oval cylinder – knob operated
- 411OA Outside access device with oval aperture – knob operated
- CL1 Mechanical push button outside access device
- CL2 Mechanical push button outside access device with passage facility
- CL3 Quick code mechanical push button outside access device
- CL4 Quick code mechanical push button outside access device with passage facility



402

403

416

417



## THREE POINT LOCKING

**404 Touch Bar Three Point Panic Bolt With Vertical Latches for Doors Up To 900mm Wide**

**405 Touch Bar Three Point Panic Bolt With Vertical Latches for Doors Up To 1200mm Wide**

Classification No.	3	7	6	B	1	3	2	2	B	A
EN 1125 : 2008										

The Exidor 404 and 405 are surface mounted touch bar three point panic bolts for wooden or steel, single and double door applications, including fire doors. The 404 is suitable for doors up to 900mm wide and the 405 for doors up to 1200mm wide. The three point locking offers increased security, whilst the patented lip prevents accidental jamming of the touch bar. Combining smooth stylish lines with the excellence of British engineering ensures they're elegant enough for use in the most prestigious buildings with integrated interiors.

**418 Touch Bar Three Point Panic Bolt With Horizontal Latches for Doors Up To 900mm Wide**

**419 Touch Bar Three Point Panic Bolt With Horizontal Latches for Doors Up To 1200mm Wide**

Classification No.	3	7	6	B	1	3	2	2	B	A
EN 1125 : 2008										

The Exidor 418 and 419 offer all the elegance and functions of the Exidor touch bar three point panic bolts but using horizontal Pullman latches.

- Non-handed
- CE marked for safety
- Surface mounted
- Suitable for fire doors
- Three point locking for additional security
- Deadlocking latch bolt
- Two standard sizes – other sizes available on request
- Pullman latches giving a smoother latching action
- Standard colours: silver, white with green touch bar and black with green touch bar.
- Plated finishes and most RAL colours available



### Standard Sizes

The 404 & 418 can be used for doors up to 900mm wide and the 405 & 419 for doors up to 1200mm wide. Touch bars for the following size doors are also available:- 483mm, 566mm, 650mm, 733mm & 816mm. Other sizes are available to order. Please contact the sales office for more details. All Exidor three point touch bar panic bolts are suitable for doors up to 2440mm high. Special sizes available on request.

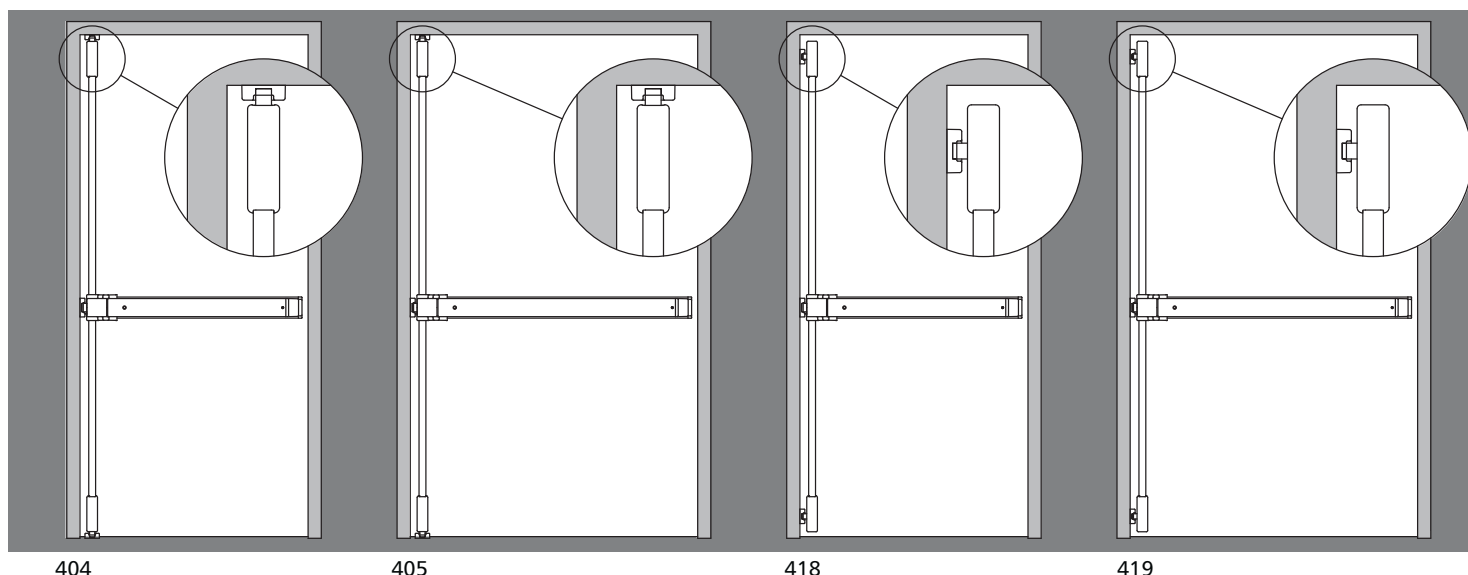
### Additional options

The Exidor touch bar three point panic bolts can be supplied with:

- Microswitch (suffix MS after the product code)
- Alarm (suffix AL after the product code)
- Dogging (suffix WD after the product code). Please note that WD products are not fire rated

### Optional accessories for the 404, 405, 418 & 419 three point panic bolts

- 409 Outside access device – knob operated
- 410EC Outside access device with Euro cylinder – lever operated
- 410EA Outside access device with Euro aperture – lever operated
- 410OC Outside access device with oval cylinder – lever operated
- 410OA Outside access device with oval aperture – lever operated
- 411EC Outside access device with Euro cylinder – knob operated
- 411EA Outside access device with Euro aperture – knob operated
- 411OC Outside access device with oval cylinder – knob operated
- 411OA Outside access device with oval aperture – knob operated
- CL1 Mechanical push button outside access device
- CL2 Mechanical push button outside access device with passage facility
- CL3 Quick code mechanical push button outside access device
- CL4 Quick code mechanical push button outside access device with passage facility



404

405

418

419

MORTICE ACTUATORS

**420 Touch Bar Mortice Actuator With Cylinder Night Latch for Doors Up To 900mm Wide**

**421 Touch Bar Mortice Actuator With Cylinder Night Latch for Doors Up To 1200mm Wide**

Classification No.	3	7	6	0	1	3	2	2	B	A
EN 1125 : 2008										

The Exidor 420 & 421 offer a touch bar actuator unit with a cylinder mortice night latch case that can be supplied with or without a Euro profile cylinder for access from the outside. A mortice plate is supplied as standard. The unit is suitable for wooden or steel, single and double applications and provides security on the outside with ease of escape from the inside in panic situations.

- Non-handed
- Surface mounted
- Used with a mortice night latch for additional security
- Mortice night latch snib for hold open facility
- Deadlocking latch bolt
- Two standard sizes – others available on request
- Standard colours: silver, white with green touch bar and black with green touch bar
- Plated finishes and most RAL colours available

**413MS Touch Bar Microswitch Actuator With Two Microswitches for Doors Up To 900mm Wide**

**414MS Touch Bar Microswitch Actuator With Two Microswitches for Doors Up To 1200mm Wide**

**The 413MS and 414MS are not CE marked and cannot be used on escape doors within the EU.**

The Exidor 413MS and 414MS offer a touch bar actuator unit with two microswitches which can be used to activate a magnetic lock or monitoring system.

- Non-handed
- Surface Mounted
- Two standard sizes – other sizes available on request
- Standard colours: silver, white with green touch bar and black with green touch bar
- Plated finishes and most RAL colours available



**Standard Sizes**

The 420 & 413MS can be used for doors up to 900mm wide and the 421 & 414MS for doors up to 1200mm wide. Touch bars for the following size doors are also available:- 483mm, 566mm, 650mm, 733mm & 816mm. Other sizes are available to order. Please contact the sales office for more details.

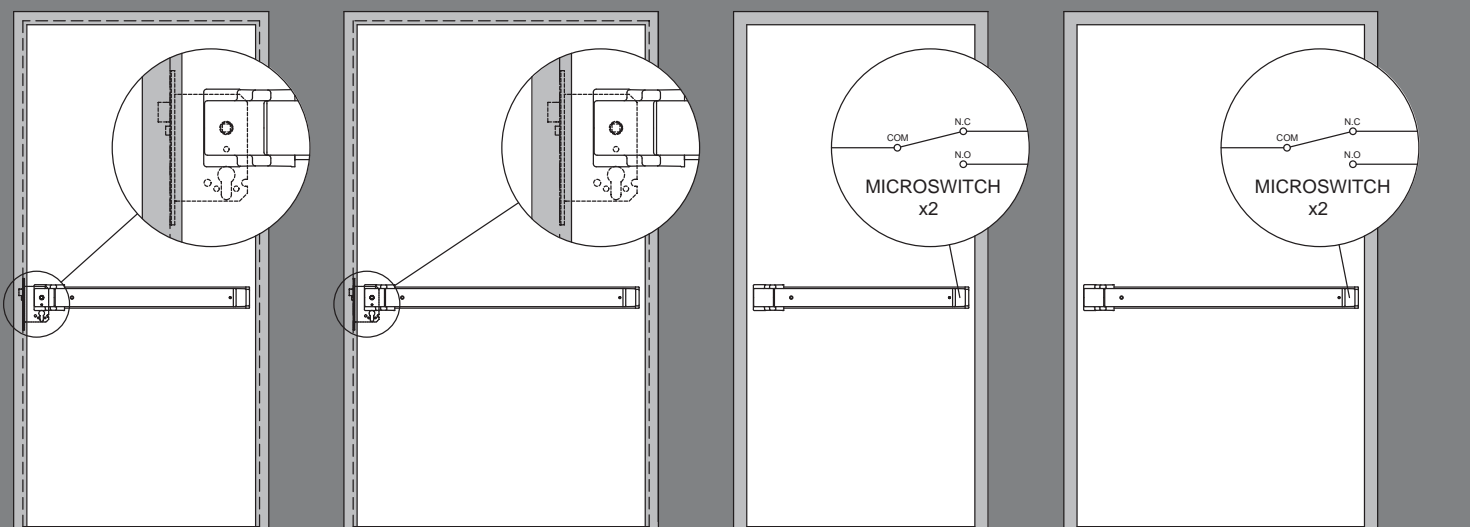
**Additional options for the 420, 421, 413MS & 414MS**

The Exidor mortice actuators can be supplied with:

- Alarm (suffix AL after the product code)

**Additional options for the 420, 421**

- Microswitch (suffix MS after the product code)



420

421

413MS

414MS

# Outside Access Devices

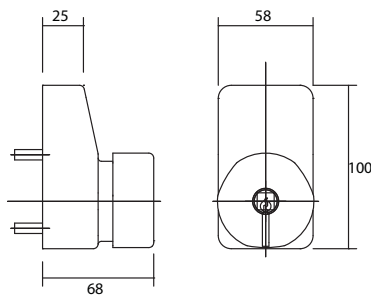


All the Exidor 400 series OADs have been certified for use with the Exidor 400 range of bolts and latches. The use of any other OAD will invalidate the CE marking on these products.

## 409 Knob Operated Outside Access Devices

The Exidor 409 is an economical OAD supplied with 2 keys and a 5 pin cylinder which cannot be changed or master keyed. Suitable for use with the Exidor 400 series touch bar range, the 409 offers access from the outside of the door

- Non-handed
- Fire rated for use on timber and steel doors
- Surface mounted on the outside of the door using concealed machine screws
- Supplied as standard for doors up to 60mm thick
- Longer spindles and screws are available on request for door thicknesses over 60mm.



409

## 410 Lever Operated Outside Access Device

The Exidor 410 offers a lever operated outside access device that meets the dimensional requirements of the Equality Act 2010 (formerly known as the DDA) and BS8300 – Approved Document “M”.

The 410 is supplied with three keys, and has the advantage that a master keyed 40mm Euro profile cylinder can be used. Suitable for use with the Exidor 400 series, the 410 offers access from the outside of the door.

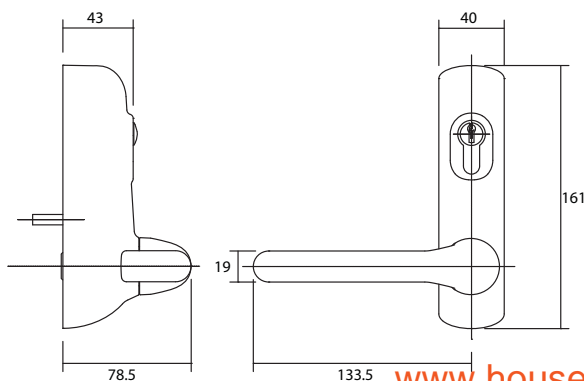
- Non-handed
- Meets the dimensional requirements of BS8300 and approved document “M”
- Surface mounted on the outside of the door using two/three machine screws
- Same fixing points as the 411 – easy retro fit
- Supplied as standard for doors up to 55mm thick

### Performance

When locked, the lever is disengaged from the mechanism and still rotates therefore preventing unauthorised entry and damage to the unit. When unlocked, the lever, spindle and mechanism engage allowing the Pullman latches to be withdrawn from the outside of the door. The lever remains engaged until the mechanism is re-locked.

### Finishes

Available as standard in silver, white or black, there is also a choice of RAL colours (see page 5).



410

### Options available

- 410EC Lever operated OAD with Euro cylinder
- 410EA Lever operated OAD with Euro profile aperture
- 410OC Lever operated OAD with oval cylinder
- 410OA Lever operated OAD with oval aperture

All measurements in mm



### 411 Knob Operated Outside Access Device

The Exidor 411 offers a knob operated outside access device that is supplied with three keys and has the advantage that a master keyed 40mm Euro profile cylinder can be used. Suitable for use with the Exidor 400 series, the 411 offers access from the outside of the door.

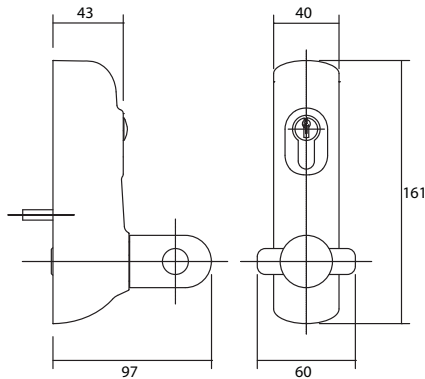
- Non-handed
- Surface mounted on the outside of the door using two/three machine screws
- Same fixing points as the 410 – easy retro fit
- Supplied as standard for doors up to 55mm thick

#### Performance

When locked, the knob is disengaged from the mechanism and still rotates therefore preventing unauthorised entry and damage to the unit. When unlocked, the knob, spindle and mechanism engage allowing the Pullman latches to be withdrawn from the outside of the door. The knob remains engaged until the mechanism is re-locked.

#### Finishes

Available as standard in silver, white or black, there is also a choice of RAL colours (see page 5).



411

#### Options available

- 411EC Knob operated OAD with Euro cylinder
- 411EA Knob operated OAD with Euro profile aperture
- 411OC Lever operated OAD with oval cylinder
- 411OA Lever operated OAD with oval aperture



CL1 / CL2



CL3 / CL4

### Mechanical Push Button Outside Access Devices

#### CL1 Push Button Mechanical Code Lock

#### CL2 Push Button Mechanical Code Lock with Passage Function

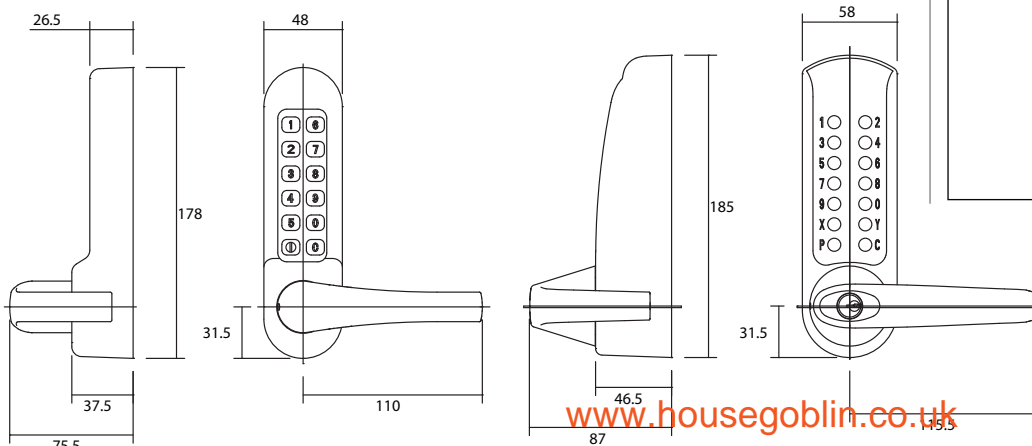
#### CL3 Quick Code Mechanical Code Lock

(Code can be changed without removing the unit)

#### CL4 Quick Code Mechanical Code Lock with Passage Function

(Code can be changed without removing the unit)

- 1,584 different codes available
- Non handed
- Reversible safety lever
- Surface mounted using concealed screws
- Clutch protection on the outside lever
- Supplied with spindles for doors from 35mm to 60mm thick
- PVD weather resistant finish
- Available in stainless steel or brass finishes



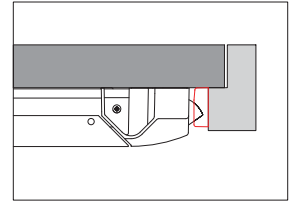
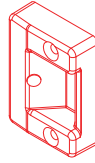
# Keep Options

## Latch Bolt Keeps

### 4401 Centre Latch Keep

- Supplied as standard with all the 400 series with latch bolts

Construction – diecast aluminium  
 Finish – Powder coated black  
 Plated finish not available



4401

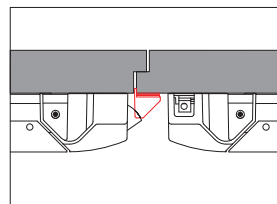
### 406B Centre Latch Keep for Rebated Double Doors / Single Flush Faced Doors and Frames

- For 400 series panic latches and the three point panic bolts when used on rebated double doors or single flush faced doors and frames.

Construction – diecast aluminium  
 Finish – Silver

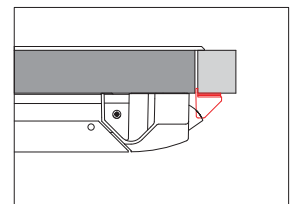


REBATED DOUBLE DOORS



406B

SINGLE FLUSH FACED DOOR / FRAME



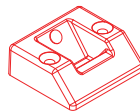
406B

## Pullman Latch Keeps

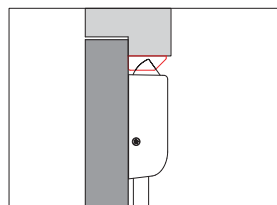
### 3402 Vertical and Horizontal Pullman Latch Keep

- For 400 series vertical and horizontal Pullman latches
- Supplied as standard with all Pullman latch units

Construction - diecast aluminium  
 Finish - powder coated black  
 plated finish not available

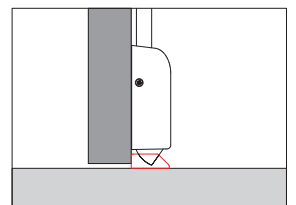


TOP VERTICAL PULLMAN



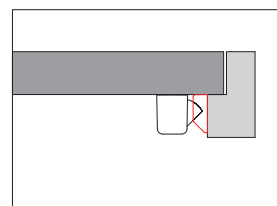
3402

BOTTOM VERTICAL PULLMAN

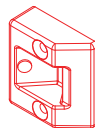


3402

HORIZONTAL PULLMAN - SINGLE DOORS ONLY



3402



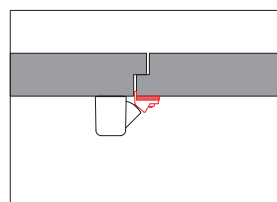
### 406A Horizontal Pullman Latch Keep for Rebated Double Doors / Top Keep for Flush Fitted Single Doors and Frames

- For 400 series horizontal Pullman latches, panic bolts and three point panic bolts when used on rebated double doors and for vertical and horizontal Pullman latches when used on flush fitted doors and frames.

Construction – diecast aluminium  
 Finish - Silver

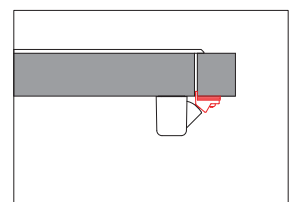


HORIZONTAL PULLMAN - DOUBLE DOOR



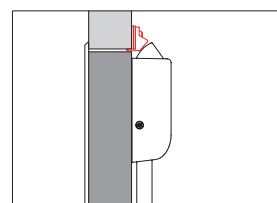
406A

HORIZONTAL PULLMAN SINGLE FLUSH FACED DOOR / FRAME



406A

VERTICAL PULLMAN SINGLE FLUSH FACED DOOR / FRAME



406A

## 408V Vertical Pullman Latch Kit

## 408 Horizontal Pullman Latch Kit

The 400 series Pullman latch kits are available in either vertical or horizontal versions. They easily allow conversion of the Exidor 400 panic bolts and three point panic bolts ensuring flexibility of products stocked and can be supplied in the full range of finishes available on the bars.



408V

408

## Accessories For Non-Standard Doors

For doors that exceed 2440mm high the following top rods and cover channels are available.

**P5031** Touch Bar Allthread for Doors up to 2440mm High

**P5033** Touch Bar Allthread for Doors up to 4000mm High

**P5096** Touch Bar Top Cover Channel 1210mm Long

**P5098** Touch Bar Channel Connector for Single Doors

**P5107** Touch Bar Channel Connector for Double Doors

**P5097** Touch Bar Bottom Cover Channel 975mm Long

## Mortice Actuator Accessories

**P3054** Euro Profile Cylinder for Cylinder Mortice Night Latch

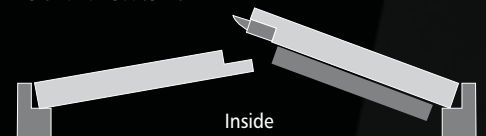
**P1803** Key Blank for Euro Profile Cylinder

**RK13** 13mm Rebate Set for Cylinder Mortice Night Latch

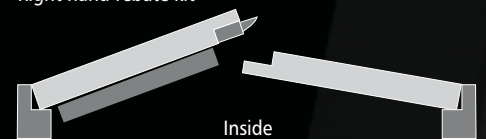
**RK25** 25mm Rebate Set for Cylinder Mortice Night Latch

\* Please note that rebate kits are handed.

Left hand rebate kit



Right hand rebate kit



# Technical Data

## Maintenance

It is important that all panic hardware devices are inspected and maintained properly to ensure safety when exiting a building in any situation.

Once the device is fitted regular maintenance is recommended.

### Weekly:

- Make sure the exit device functions correctly
- Any fixings that have worked loose should be re-secured
- Any damaged components should be replaced
- Ensure there are no obstructions which prevent the panic/emergency exit unit from functioning correctly

### Every three months:

- Check for wear. Any visible worn components should be replaced

## Fixing / Installation

Installation instructions are supplied with all Exidor panic and emergency exit hardware. Provided the instructions are followed and the units are fitted by a competent person, the Exidor range will offer a high degree of safety and security. No responsibility can be accepted by the manufacturer if the installation instructions are not followed.

In order to meet the CEN European standards the door and frame should be of good quality and suitable to support the hardware.

Make sure that any weather strips or fixings on the door or frame do not interfere with the opening and closing of the door.

## Construction

The main chassis is constructed out of steel with an aluminium head and end unit. The rods are steel with an extruded aluminium cover. Zinc diecast and steel are used for the internal components. The centre latch and Pullman latches are nickel plated zinc diecast.

## Passivate Protection - On Request

The passivation process gives extra protection to the steel components and is recommended when the product is to be used in harsh conditions, such as outside gates, around swimming pools or coastal areas.

## Chromating - On Request

Chromating offers increased protection to the aluminium components in harsh condition such as outside gates, around swimming pools or coastal areas.

## Threshold Seal

The ES1 threshold seal plate is for outward opening broad butt hinged doors. The seal meets the requirements of the Equality Act and has been fire, smoke and acoustic tested.

# Touch Bar Sizing

## Maximum Door Width

The touch bar does not have to cover the full width of the door. To satisfy the requirements of BS EN 1125: 2008 the width of the touch bar's actuator must cover at least 60% of the width of the inside face of the door leaf (as visible when the door is closed). (For more details please refer to the table below)

## Minimum Door Width

This minimum door width is determined by adding the clearances required at each end to the overall length of the touch bar. (For more details please refer to the table below)

## Stocked Sizes

All touch bars configurations are available in two standard lengths:

- 653.5mm overall which suits door widths between 692mm to a maximum of 900mm
- 833.5mm overall which suits door widths between 872mm to a maximum of 1200mm

They are identified by the model numbers (e.g. Model 400 is a single point latch unit 653.5mm overall, model 401 is a single point latch unit 833.5mm overall)

## Non-Stocked (Special) Sizes

A range of smaller non-stocked special sizes are available to order. These are for use on doors with widths smaller than 692mm. They are assembled to order using stocked components and are available in five sizes: 603.5mm, 553.5mm, 503.5mm, 453.5mm & 403.5mm. (For more details please refer to the table below)

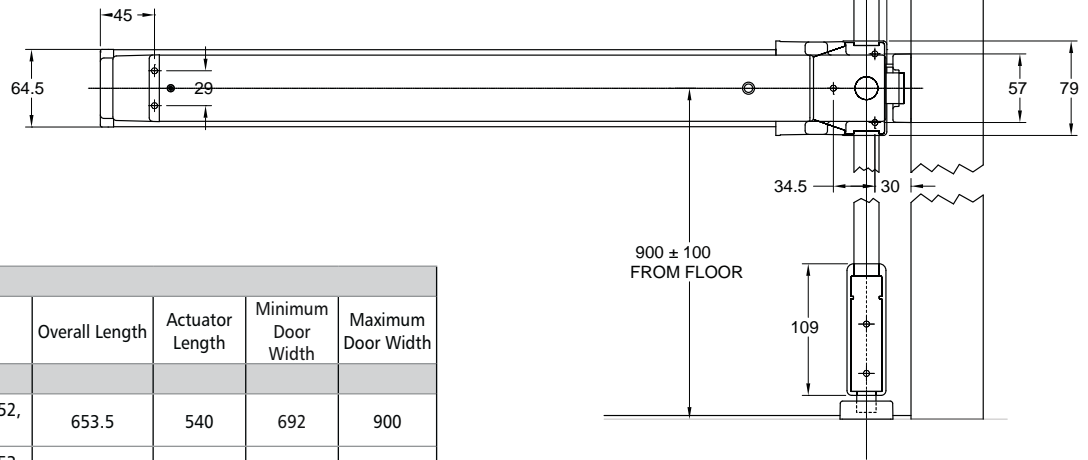
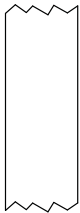
## Bespoke (Special) Sizes

For doors; wider than 1200mm (to a maximum of 1810mm) and for door stiles where the touch bar crosses the glazing and the tail end fixings need to reach the hinge stile (i.e the door construction has no 'mid-rail'), bespoke sized touch bars can be manufactured to exact customer requirements for any size between 350mm - 1200mm. Please note that for ELR & Alarm models the minimum sizes that can be made are 553.5mm & 503.5mm respectively. (For more details regarding the corresponding door widths please refer to the table & diagram below)

## Door Height

For 2 & 3 point vertical Pullman latch units with the unit set at 900mm from the floor the maximum door height is 2250mm. If the unit is set at

1100mm the maximum door height can be increased to 2450mm high. For larger doors, longer 3m allthread rod is available. This will suit doors up to 4m high. For this arrangement a longer cover is not available. Instead additional 1210mm cover channels can be joined using joining brackets P5098 for single doors & double door inactive leaves & P5107 for double door active leaves.



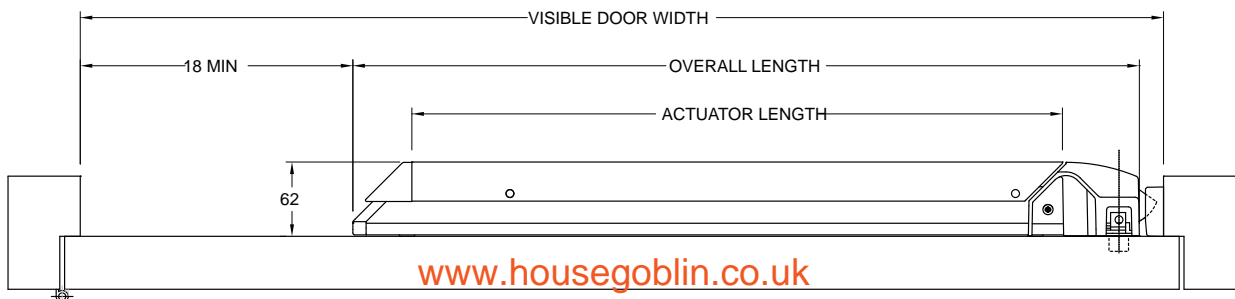
TOUCH BAR SIZES & DOOR WIDTHS				
Models	Overall Length	Actuator Length	Minimum Door Width	Maximum Door Width
<b>Stocked Sizes</b>				
400, 402, 404, 416, 418, 420, TB450, TB452, TB454, TB466, TB468	653.5	540	692	900
401, 403, 405, 417, 419, 421, TB451, TB453, TB455, TB467, TB469	833.5	720	872	1200
<b>Non - Stocked Sizes</b>				
All Models	603.5	490	642	816
	553.5	440	592	733
	503.5	390	542	650
	453.5	340	492	566
	403.5	290	442	483
<b>Bespoke Sizes (see notes)</b>				
Maximum Size (All Models)	1200	1086	1238	1810
Minimum Size (All Models)	350	236	388	393

**MAXIMUM DOOR WIDTH = ACTUATOR LENGTH / 60%**

**MINIMUM DOOR WIDTH = OVERALL LENGTH + 18 + 20**

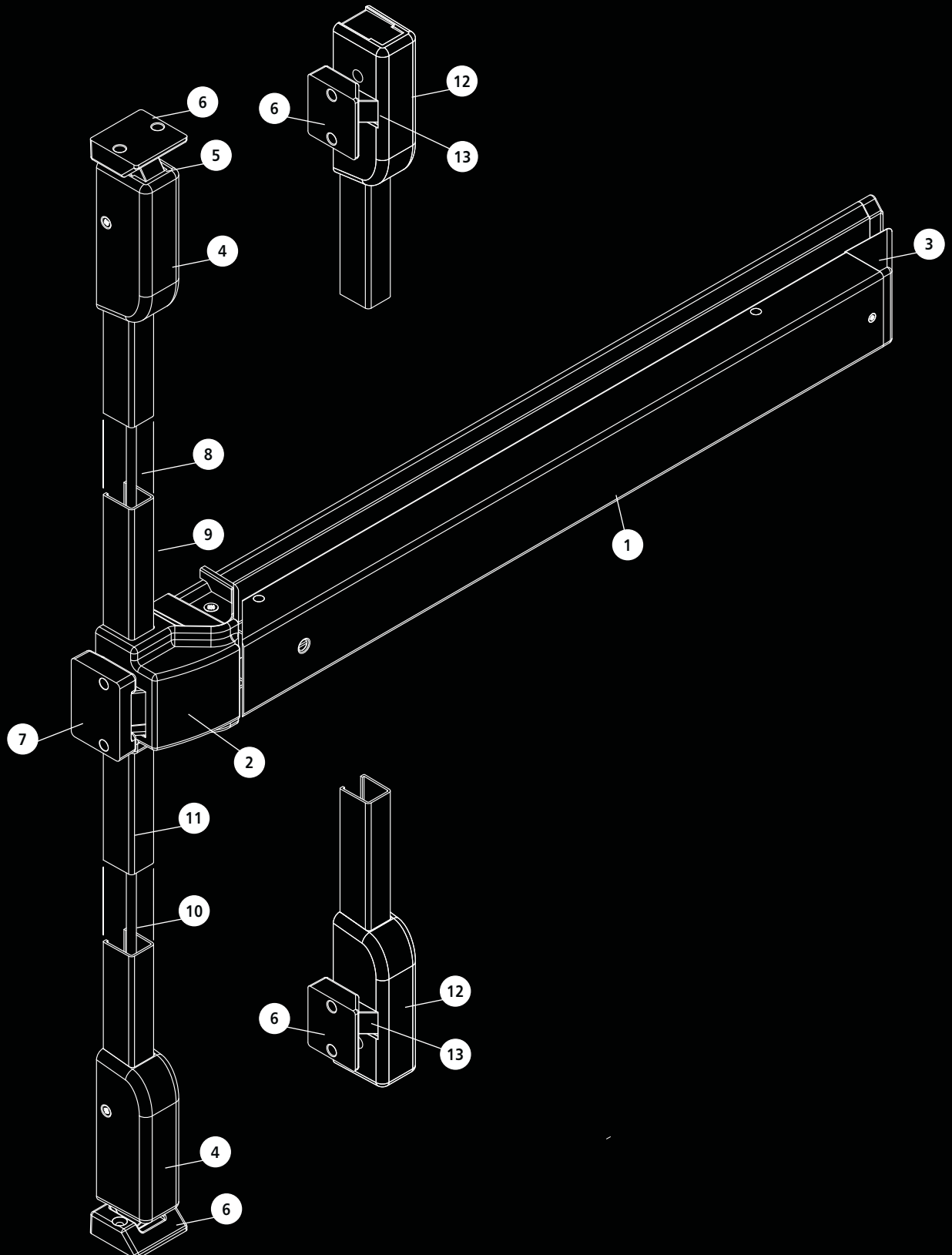
### Notes

- All sizes & dimensions are in millimetres
- Minimum ELR touch bar length = 553.5mm overall
- Minimum alarm (suffix 'AL') touch bar length= 503.5mm overall



# Parts List

- |                              |                                 |
|------------------------------|---------------------------------|
| 1. Touch Bar Mechanism       | 8. Top Allthread                |
| 2. Head Cover                | 9. Top Cover Channel            |
| 3. End Cap                   | 10. Bottom Allthread            |
| 4. Vertical Pullman Cover    | 11. Bottom Cover Channel        |
| 5. Vertical Pullman Assembly | 12. Horizontal Pullman Cover    |
| 6. Pullman Latch Keep        | 13. Horizontal Pullman Assembly |
| 7. Centre Latch Keep         |                                 |



# Regulations

The standard for the Exidor 400 series touch bar is as follows:-

## EN1125: 2008

For push bar and touch bar devices which can be used in any environment, particularly areas open to members of the public.

*Application examples: shopping centres, areas of entertainment, public buildings*



## Classification Coding System for Panic Exit Hardware

Under EN1125:2008 each product is tested and classified accordingly to show its compliance by the identification of a 10-digit code that is visible on the product and fitting instructions. Each digit represents a category and how it measured against the standard to which it was tested

Example:

Digit:                    1   2   3   4   5   6   7   8   9   10

Classification No.	3	7	6	B	1	3	2	2	B	A
--------------------	---	---	---	---	---	---	---	---	---	---



### Digit 1 - Category of Use

Only one category is identified

3 = high frequency of use where there is little incentive to exercise care, i.e. where there is a chance of an accident occurring and misuse.

Example: Doors to shops, hospitals, schools and other buildings which provide access to designated areas and which are used by the public and others frequently carrying or propelling bulky objects.

### Digit 2 - Durability

6 = tested up to 100,000 cycles

7 = tested up to 200,000 cycles

### Digit 3 - Door Mass

5 = for doors up to 100kg

6 = for doors up to 200kg

7 = for doors over 200kg

### Digit 4 - Suitability for Use on Fire / Smoke Doors

0 = not approved for use on fire / smoke door assemblies

A = suitable for use on smoke door assemblies

B = suitable for use on fire and smoke door assemblies based on a test in accordance with EN1634-1

### Digit 5 - Safety

Only the top grade is allowed on panic and emergency exit hardware

1 = safety

### Digit 6 - Corrosion Resistance to EN 1670

3 = high resistance

4 = very high resistance

### Digit 7 - Security for Products

2 = 1,000 N - this is the only grade allowed under EN 1125

### Digit 8 - Projection of Device

1 = large projection (projection of 150mm from the face of the door)

2 = standard projection (projection of 100mm from the face of the door)

### Digit 9 - Type of Device

A = panic device using a push bar

B = panic device using a touch bar

### Digit 10 - Door Application

A = single door, double door: active or inactive leaf

B = single door only

C = double door, inactive leaf only

# Product Features

Product No.	Description	EN Standard	Size		Reversible	Bolt Type		Electronic Latch Retraction	Locking Points	CE Mark	Fire Rated	
			1125	653.5mm		833.5mm	Vertical Pullman Latches					Horizontal Pullman Latches
				Door Width (min-max)								
			692mm - 900mm	872mm - 1200mm								
400	Touch Bar Single Deadlocking Latch	●	●		●				1	●	●	
401	Touch Bar Single Deadlocking Latch	●		●	●				1	●	●	
402	Touch Bar Panic Bolt With Vertical Pullman Latches	●	●		●	●			2	●	●	
403	Touch Bar Panic Bolt With Vertical Pullman Latches	●		●	●	●			2	●	●	
404	Touch Bar Three Point Panic Bolt With Vertical Pullman Latches	●	●		●	●			3	●	●	
405	Touch Bar Panic Three Point Bolt With Vertical Pullman Latches	●		●	●	●			3	●	●	
416	Touch Bar Panic Bolt With Horizontal Pullman Latches	●	●		●		●		2	●	●	
417	Touch Bar Panic Bolt With Horizontal Pullman Latches	●		●	●		●		2	●	●	
418	Touch Bar Three Point Panic Bolt With Horizontal Pullman Latches	●	●		●		●		3	●	●	
419	Touch Bar Panic Three Point Bolt With Horizontal Pullman Latches	●		●	●		●		3	●	●	
413MS	Touch Bar Mortice Actuator With Two Microswitches		●		●				0			
414MS	Touch Bar Mortice Actuator With Two Microswitches			●	●				0			
420	Touch Bar Mortice Actuator With Cylinder Night Latch	●	●		●				1	●		
421	Touch Bar Mortice Actuator With Cylinder Night Latch	●		●	●				1	●		
423	Touch Bar Mortice Actuator Without Cylinder Night Latch		●		●				1			
424	Touch Bar Mortice Actuator Without Cylinder Night Latch			●	●				1			
TB450	ELR Touch Bar Panic Latch	●	●		●			●	1	●		
TB451	ELR Touch Bar Panic Latch	●		●	●			●	1	●		
TB452	ELR Touch Bar Panic Bolt With Vertical Pullman Latches	●	●		●	●		●	2	●		
TB453	ELR Touch Bar Panic Bolt With Vertical Pullman Latches	●		●	●	●		●	2	●		
TB454	ELR Touch Bar Three Point Panic Bolt With Vertical Pullman Latches	●	●		●	●		●	3	●		
TB455	ELR Touch Bar Three Point Panic Bolt With Vertical Pullman Latches	●		●	●	●		●	3	●		
TB466	ELR Touch Bar Panic Bolt With Horizontal Pullman Latches	●	●		●		●	●	2	●		
TB467	ELR Touch Bar Panic Bolt With Horizontal Pullman Latches	●		●	●		●	●	2	●		
TB468	ELR Touch Bar Three Point Panic Bolt With Horizontal Pullman Latches	●	●		●		●	●	3	●		
TB469	ELR Touch Bar Three Point Panic Bolt With Horizontal Pullman Latches	●		●	●		●	●	3	●		

**Exidor Limited**  
Progress Drive, Cannock  
Staffordshire, WS11 0JE  
England, UK

Tel: +44 (0)1543 578661  
Fax: +44 (0)1543 570050  
Email: [sales@exidor.co.uk](mailto:sales@exidor.co.uk)



Uniclass L4181	EPIC D181
CI/SfB (31.59)	X

Issue 2 EX350

Every effort has been made to ensure the accuracy of the particulars contained in this brochure. All details and specifications were deemed correct at time of going to press. However, Exidor Limited reserve the right to alter specifications with or without prior notice and at such times in a manner they think fit. Customers are advised to call Exidor Limited on +44 (0) 1543 578661 if they require further details or clarification of specifications.